



## A.H. Systems, Inc.

9710 Cozycroft Ave.  
Chatsworth, CA 91311



Tel: (818) 998-0223



sales@AHSystems.com

Fax: (818) 998-6892



www.AHSystems.com

## SAS-547

### Biconical Antenna

1 GHz – 18 GHz

This broadband, high-frequency biconical antenna is designed specifically for broadband Field monitoring.



Frequency Range: 1 GHz - 18 GHz

Maximum Continuous Power: 50 Watts

Pattern Type: omni-directional

Impedance: 50  $\Omega$

VSWR: 2.0:1 (average)

Connector: N-Type, female

Mounting: ABC-B (included) with  
1/4-20 Thread, female

### Features

- 1 to 18 GHz omni directional antenna
- Receive and Transmit
- Individually Calibrated
- Rugged Construction
- Three Year Warranty

The A.H. Systems SAS-547 Biconical antenna operates efficiently over the frequency range of 1 GHz to 18 GHz. This antenna is ideal for receiving, monitoring, SIGINT, or any other application where a small, rugged, high performance passive antenna is required.

### Recommended Accessories

- PAM-0118 (Preamplifier, 20 MHz – 18 GHz)
- SAC-18G-3 (3 Meter Low-Loss Cable)
- ATU-510 (Antenna Tripod, Wooden)
- AEH-510 (Azimuth and Elevation Head)



# A.H. Systems, Inc.

9710 Cozycroft Ave.  
Chatsworth, CA 91311



Tel: (818) 998-0223  
Fax: (818) 998-6892

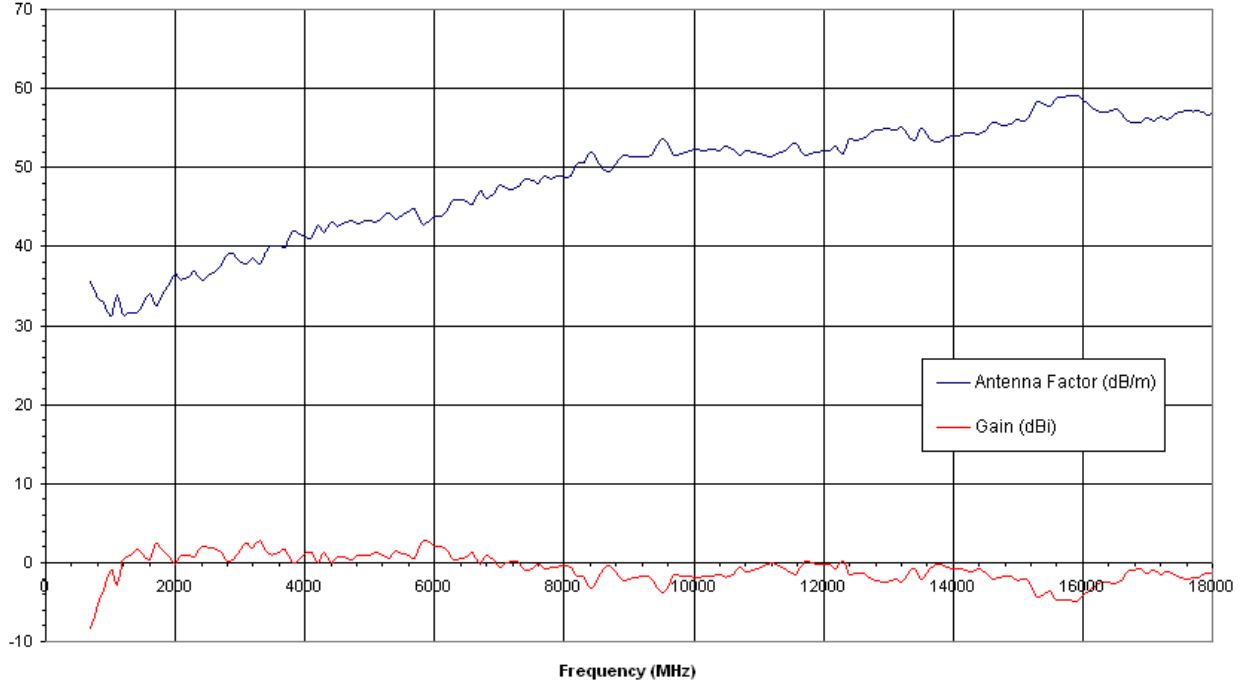
◆ sales@AHSystems.com  
◆ www.AHSystems.com



## A.H. Systems Inc.

9710 Cozycroft Ave. Chatsworth, CA 91311  
Phone (818) 998-0223 Fax (818) 998-6892  
E-mail: sales@A.H.Systems.com  
Web site: <http://www.AHSystems.com>

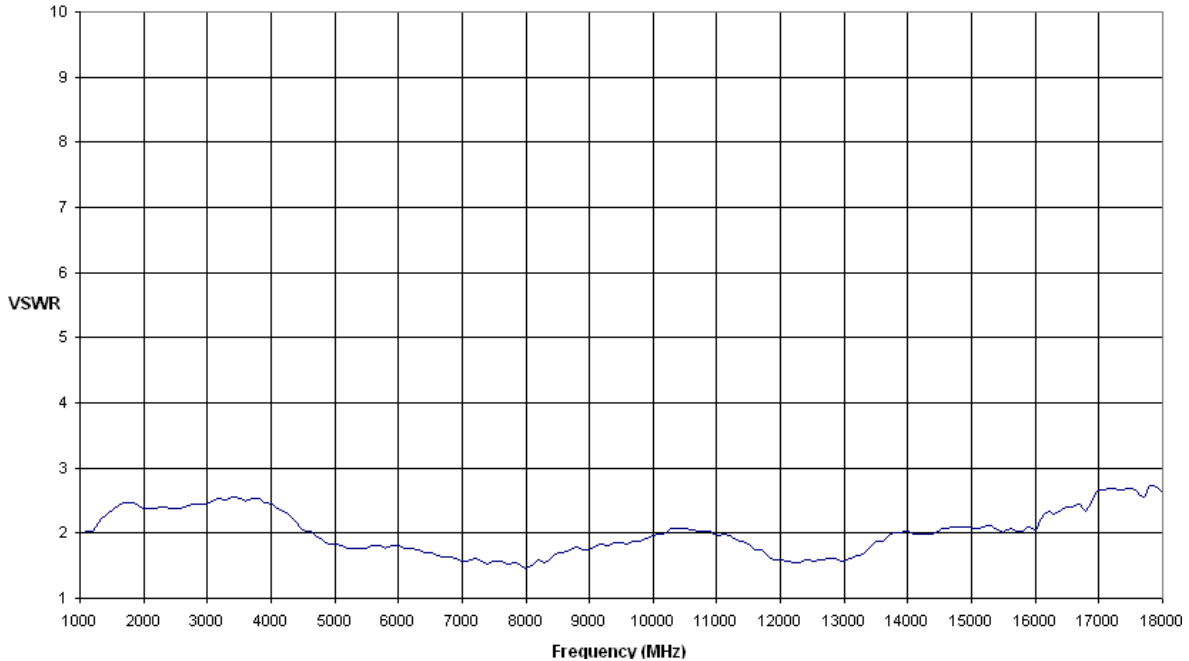
**Biconical  
Antenna Data  
Model: SAS-547**



## A.H. Systems Inc.

9710 Cozycroft Ave. Chatsworth, CA 91311  
Phone (818) 998-0223 Fax (818) 998-6892  
E-mail: sales@A.H.Systems.com  
Web site: <http://www.AHSystems.com>

**Antenna VSWR  
Model: SAS-547**





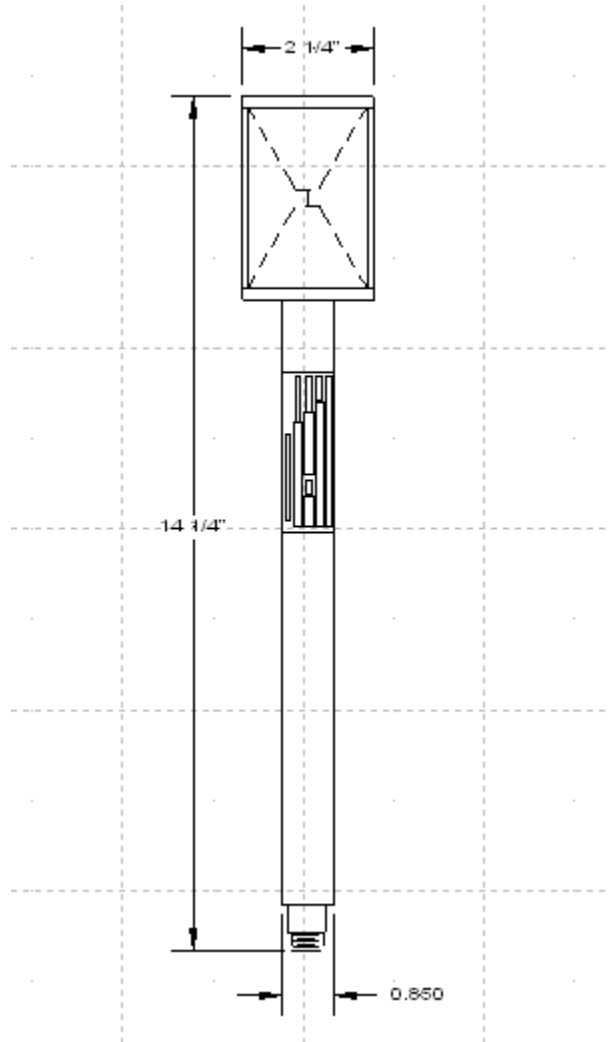
**A.H. Systems, Inc.**

9710 Cozycroft Ave.  
Chatsworth, CA 91311



Tel: (818) 998-0223  
Fax: (818) 998-6892

◆ sales@AHSystems.com  
◆ www.AHSystems.com



**Physical Dimensions:**

Height: 14.25 in. (36.2 cm)

Width: 2.25 in. (5.7 cm)

Weight: 1 lbs. (454 g)